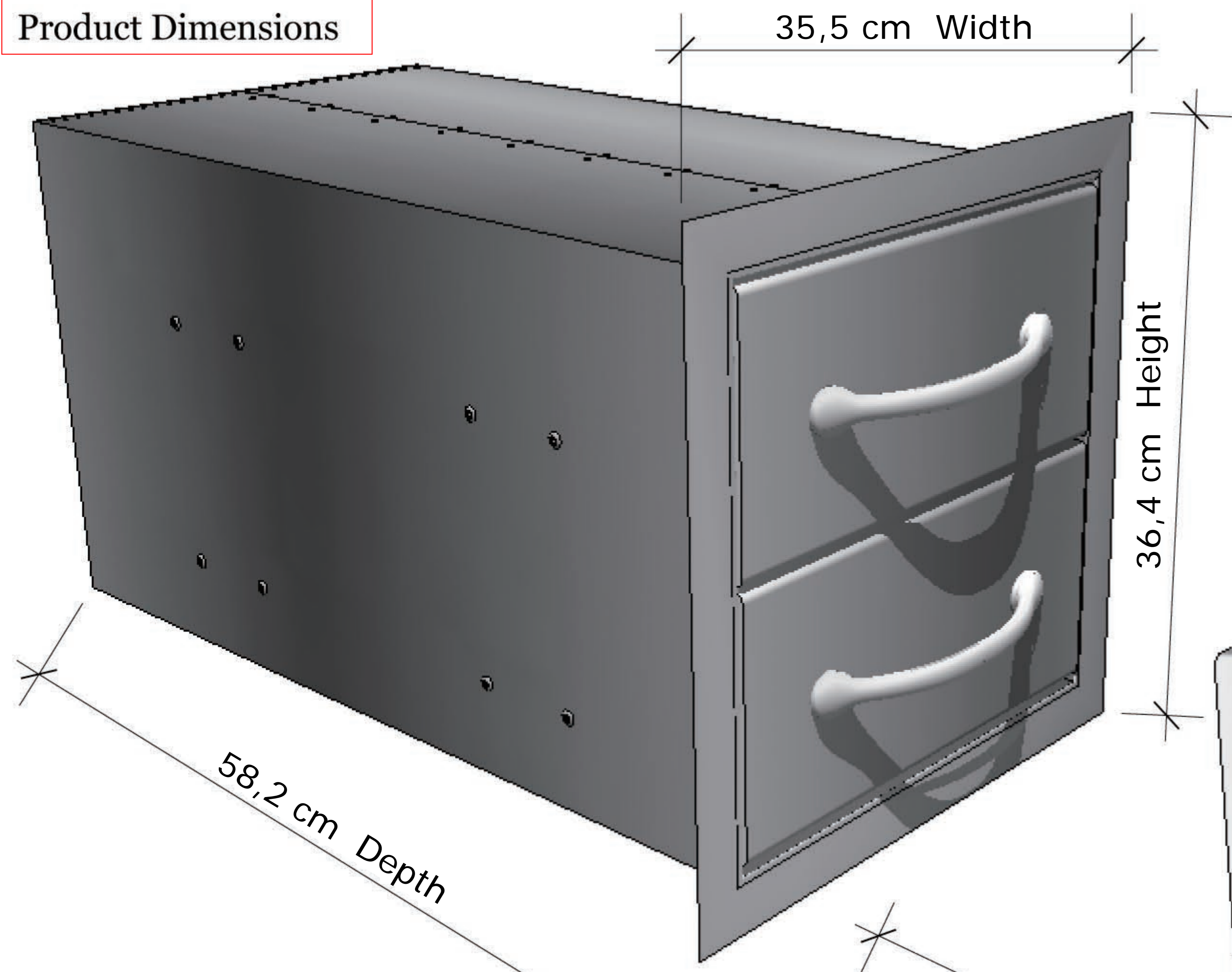
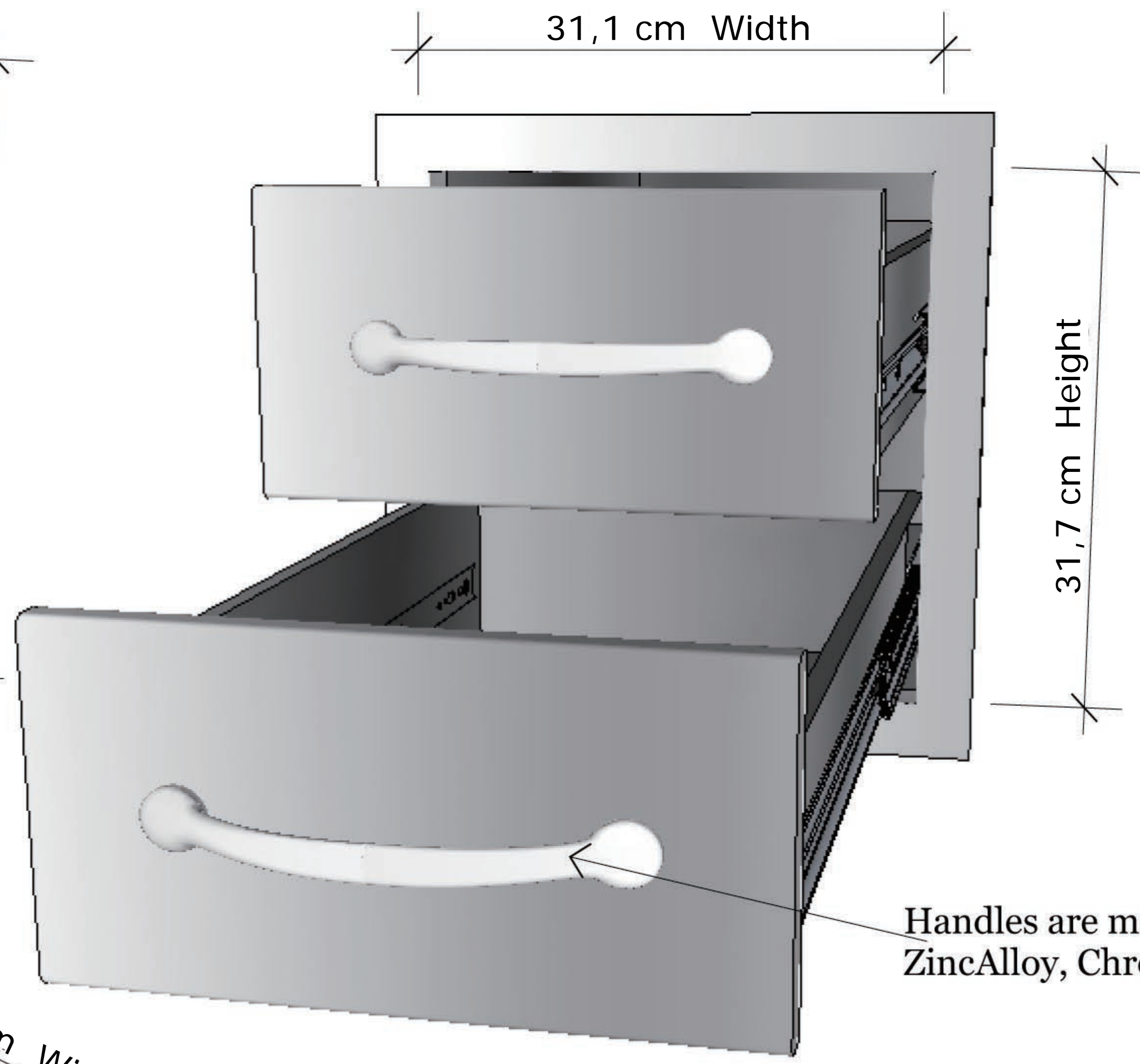


Product Dimensions



Cut-out Dimensions



Sunstone Metal Products
 16004 Central Commerce Dr
 Pflugerville TX 78665
 Tel: 888.934.9449
 Bus: 512.487.5116
 Fax: 512.487.7016

PRODUCT
 Flush Double Drawer
 Item No. B-DD12

DESCRIPTION
 Double Access
 Drawer Flush Mount

Double Access Drawer Flush Mount
 35,5cm W x 36,4cm H x 58,2cm D (Product Size)
 31,1cm W x 31,7cm H (Cut-out)
 17 KG (Weight)

Material Specifications:
 304 Stainless Steel
 16 Gauge for Frame
 20 Gauge for Drawer Cabinet
 18 Gauge Galvanized Sheet for the fully inclosed outside box
 Handles are made of Zinc Alloy, Chrome Plated.

Handles are made of
 ZincAlloy, Chrome Plated

