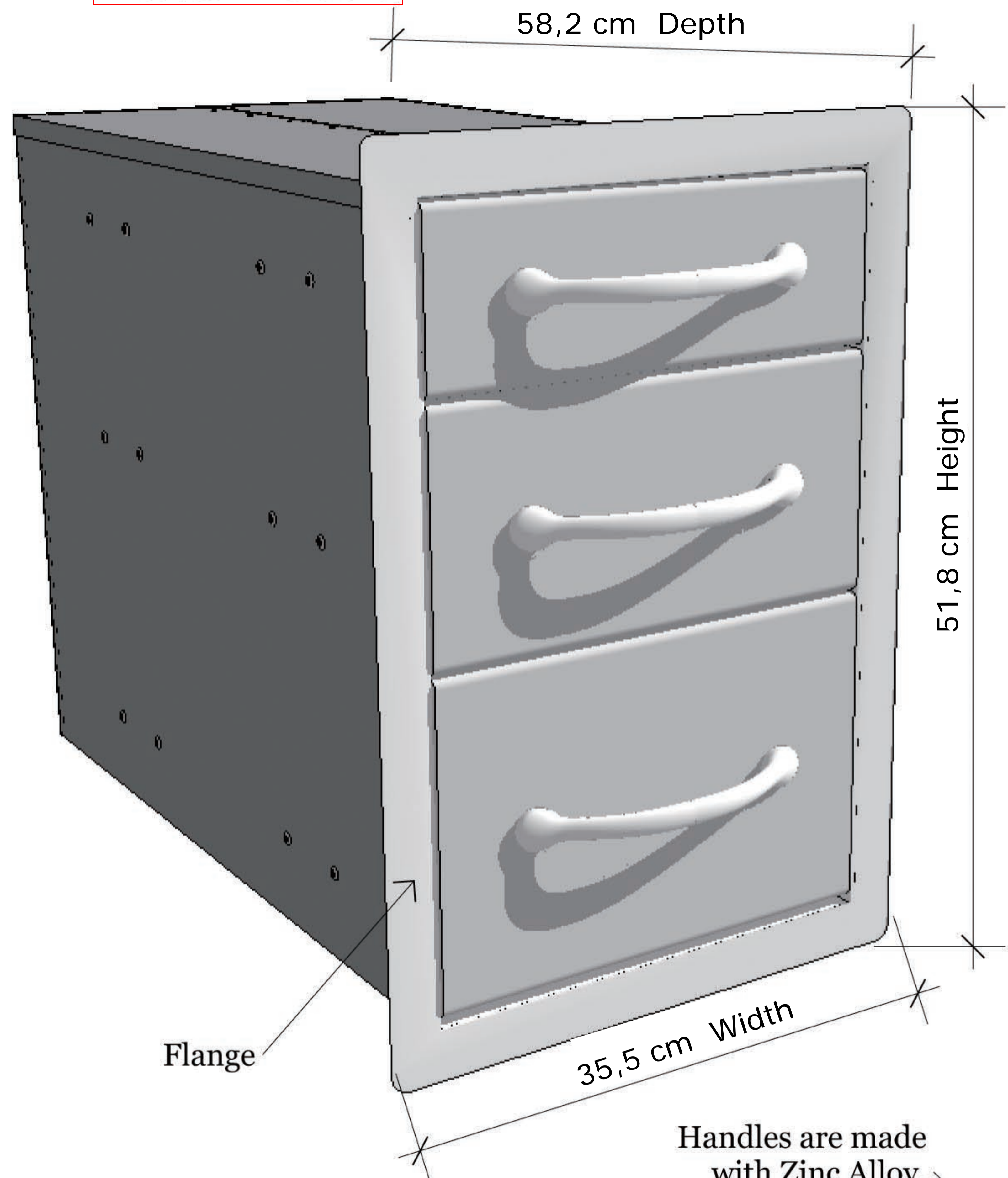
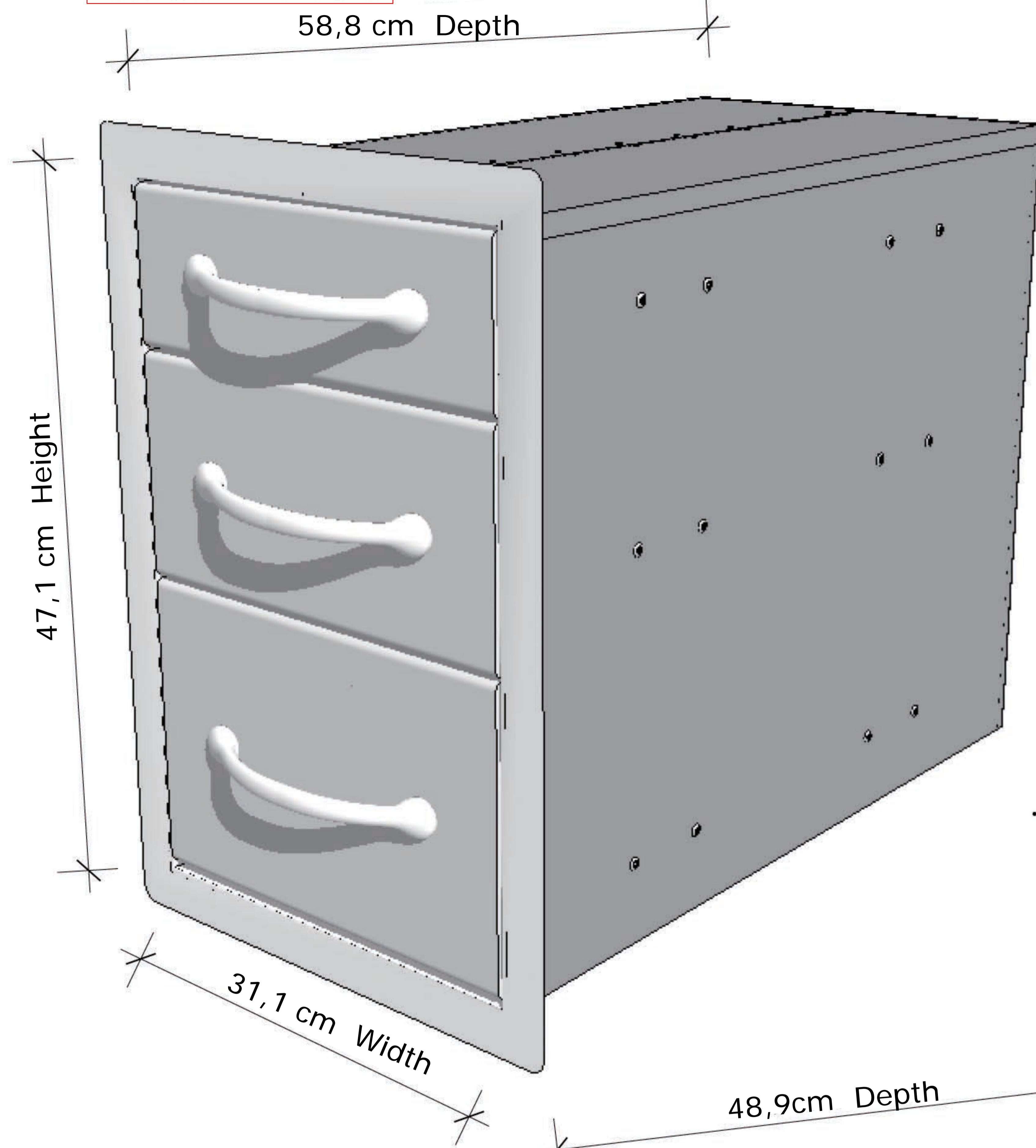


Product Dimensions



Cut-out Dimensions



Sunstone Metal Products
 16004 Central Commerce Dr
 Pflugerville TX 78665
 Tel: 888.934.9449
 Bus: 512.487.5116
 Fax: 512.487.7016

PRODUCT
FLUSH TRIPPLE DRAWER
 Item No. B-TD18

DESCRIPTION
 FLUSH TRIPPLE DRAWER WITH
 SMALL, MEDIUM, AND LARGE
 DRAWERS

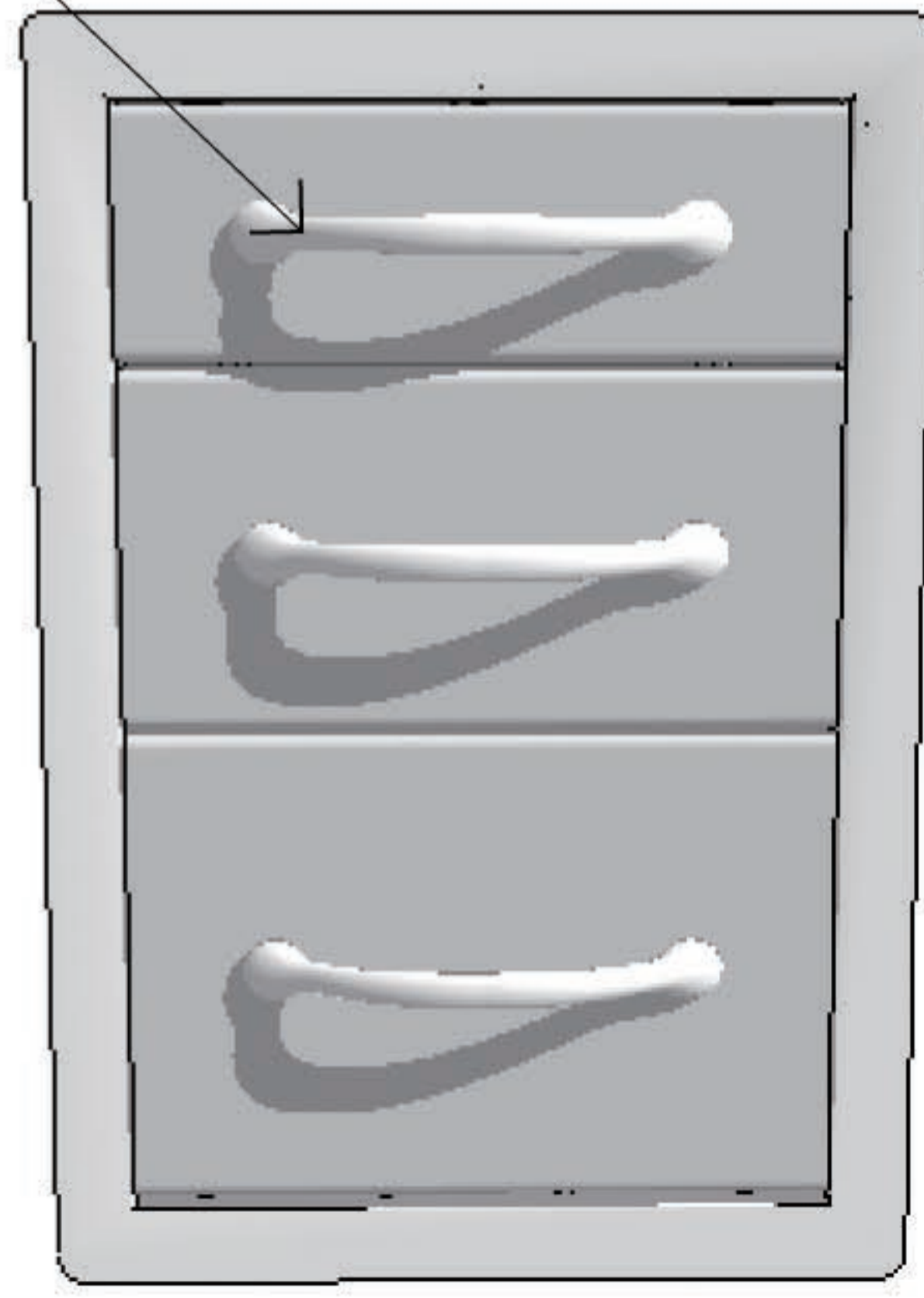
35,5cm W x 51,8cm H x 58,2cm D (Product Size)
 31,1cm W x 47,1cm H (Cut-out)
 24,2 KG (Weight)

Material Specifications:
 304 stainless steel Trash Drawer
 16 Gauge for Frame.
 20 gauge Drawer Cabinet.
 18 Gauge Galvanized box
 Handles are made of zinc alloy,
 chrome plated.

Handles are made
 with Zinc Alloy,
 Chrome Plated

Drawer Body Height

Front View



48,9cm Depth

52,7cm Depth

Drawer Extension

Drawer Body

